



Technical Information

RAL-GZ 719

Surface temperatures of Fabric Expansion Joints

TI-016
 Rev. 0 Ë 03/12
 page 1 of 2

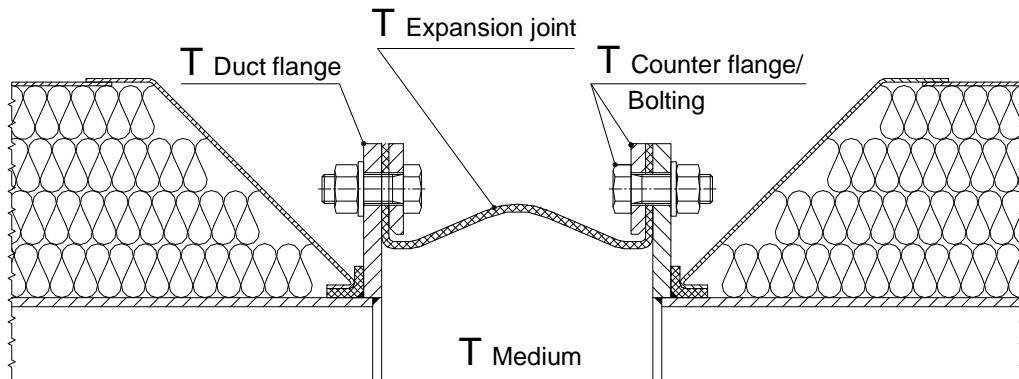
1. General

There is a limitation to influence the heat transfer from the medium to the fabric expansion joint system because of functional requirements. Therefore on components like expansion joint bellow, duct flange, fastening parts higher temperatures can be expected than on adjacent components. At medium temperatures higher than 300°C the surface temperature on the outside of the expansion joint system will possibly be higher than 60°C.

2. Surface temperatures

The below mentioned tables show the possible temperature values at ambient temperature of maximum 50°C.

2.1 Flanged expansion joints



T Medium	T Duct flange	T Counter flange/ Bolting	T Expansion joint
200°C	200°C	120°C	150°C
300°C	300°C	150°C	200°C*
400°C	400°C	180°C	m250°C

* Depending on the expansion joint design temperatures up to 250°C can be reached

Edited by the Quality Committee of the Quality Association for
 Fabric Expansion Joints



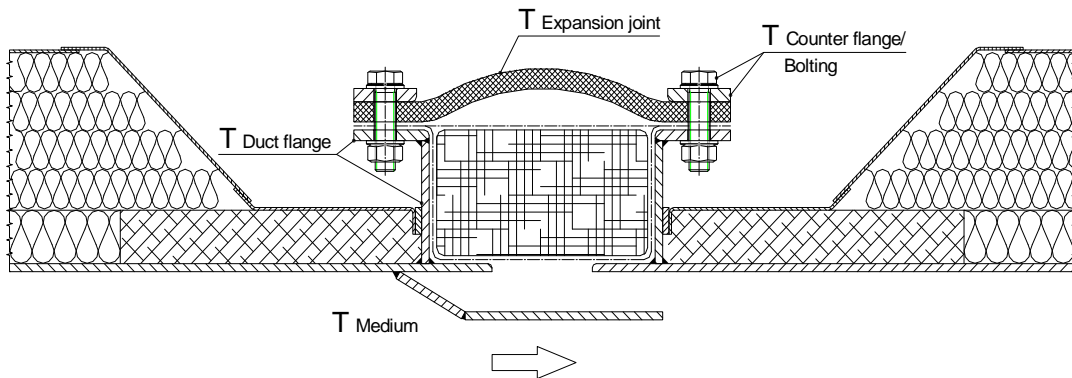
Technical Information

RAL-GZ 719

Surface temperatures of Fabric Expansion Joints

TI-016
Rev. 0 Ë 03/12
page 2 of 2

2.2 Belt expansion joints (e.g. with pre-insulation)



T Medium	T Duct flange	T Counter flange/ Bolting	T Expansion joint
300°C	250°C	120°C	150°C*
400°C	300°C	150°C	200°C*
500°C	320°C	180°C	m250°C
600°C	350°C	200°C	m250°C
700°C	380°C	220°C	m250°C

* Depending on the expansion joint design temperatures up to 250°C can be reached

It has to be kept in mind that secondary influences e.g. radiation or lacking convection can affect these values considerably.

3. Safety measures

The surface of the expansion joint bellow has considerable lower heat conductivity than the metallic components. The result of this is an appropriate reduced risk potential. In general a direct risk can be excluded when touching the expansion joint bellow.

At platforms or running boards there could be a risk for persons touching the metallic parts like duct flange and fastening parts. In this case a personnel guard has to be installed by others. An adequate convection has generally to be ensured (see TI-011 point 2.).

A possible outside cover or insulation as personnel guard may damage the expansion joint and is therefore not suitable as a safety measure.

Edited by the Quality Committee of the Quality Association for Fabric Expansion Joints